

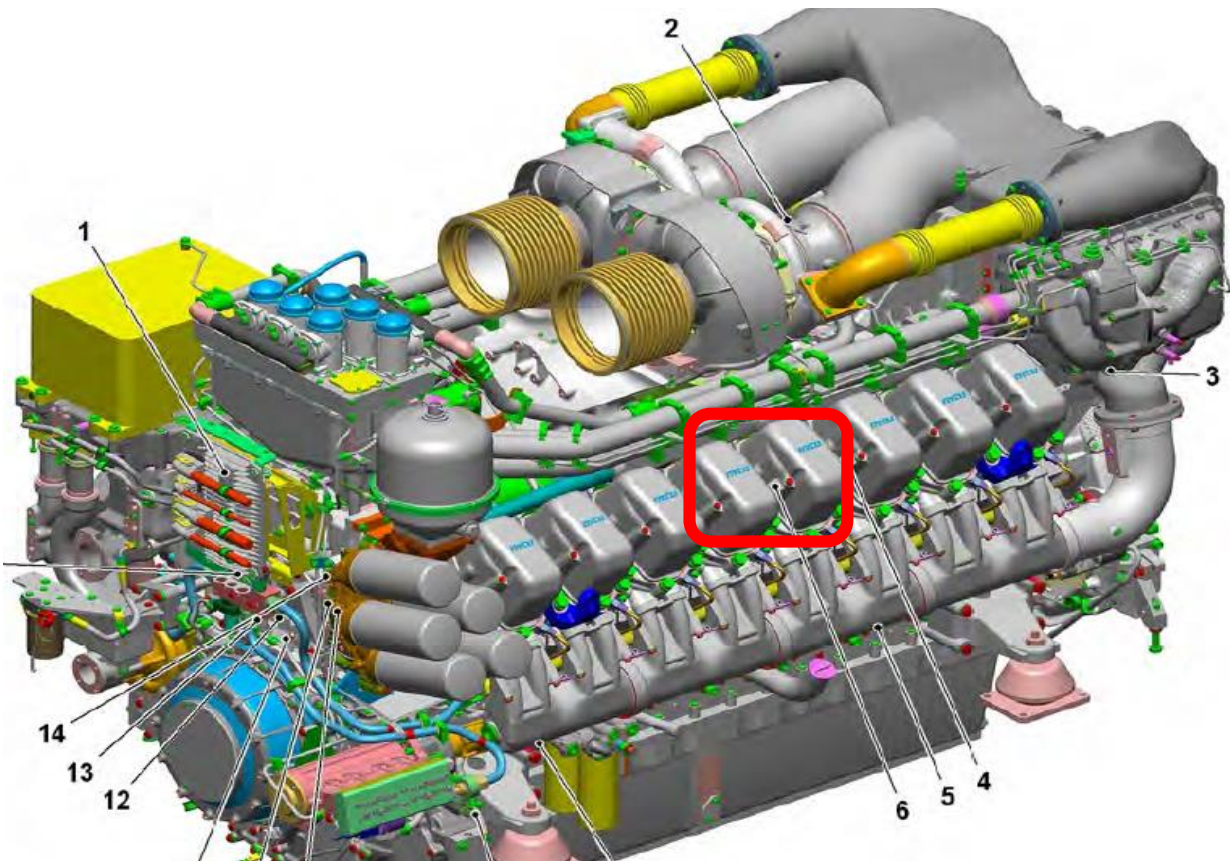
نام پروژه : زمینس

| نام قطعه | پارت نامبر قطعه | نام مجموعه‌ای که قطعه نصب می شود |
|------------------|-----------------|----------------------------------|
| سنسور دمای آگروز | | موتور |

عکس قطعه:



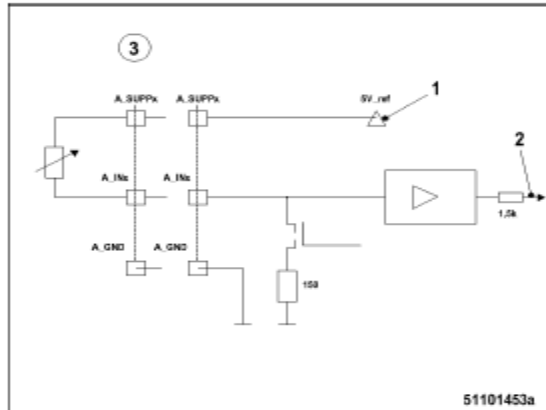
محل نصب:



دیگر مشخصات فنی:

Analog inputs A_IN 1 ... 8

A_IN 1 – Exhaust gas temperature A
 Channel specification

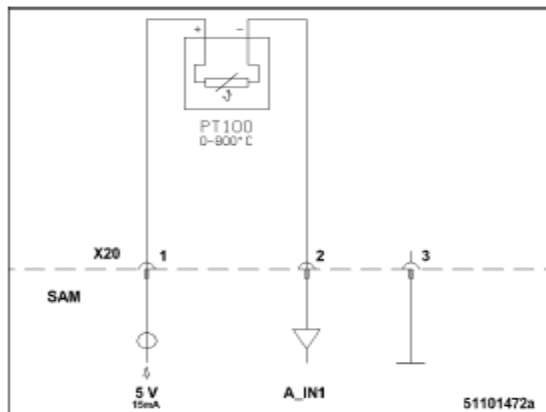


- 1 U_{ref}
- 2 A/D channel
- 3 Pt100 input

Input:

- Temperature measuring current: Pt100 4 mA
- Temperature input impedance: 1 kΩ
- Sensor supply: 5 V, max. 20 mA

Function



- Acquisition of:
 - Pt100, extended
- Function:

The channel is used to acquire the combined exhaust gas temperature of engine bank A. The temperature ranges between 0 ... 850 °C. The present temperature is shown on DIS 10 (option, if applicable).

Programmable system responses:

- No alarm
- Message
- Yellow alarm
- Red alarm

- Red alarm with shutdown
- The alarm is stored in the SAM and displayed on the fault code monitor. It is also displayed on DIS 10 (option, if applicable).

Parameters

Required settings:

- Activation of temperature monitoring
- System response in case of limit value violation
- Limit value
- Hysteresis
- Delay times

| No. | Presetting | Unit | Designation | Settings |
|-------|------------|---------|--------------------------------|---|
| PR300 | 0 | Binary | T-Exhaust_A Monitoring ON | 1 - Exhaust Temp. Monitoring and Alarm ON 0 - Exhaust Temp. Monitoring and Alarm OFF |
| PR301 | 2 | Digital | Selector Alarm T-Exhaust_A | 0 No Protection 1 - Message 2 - Yellow Alarm 3 - Red Alarm 4 - Red Alarm with Security Stop |
| PR302 | 700 | DegC | Level T-Exhaust_A HI | Protection Level for HI Alarm |
| PR303 | 10 | DegC | Hysteresis T-Exhaust_A HI | Hysteresis for HI Alarm Protection Level |
| PR304 | 2 | s | Delay Time T-Exhaust_A HI Rise | Delay Time for crossing the HI Level |
| PR305 | 2 | s | Delay Time T-Exhaust_A HI Fall | Delay Time for under-run the HI Level |