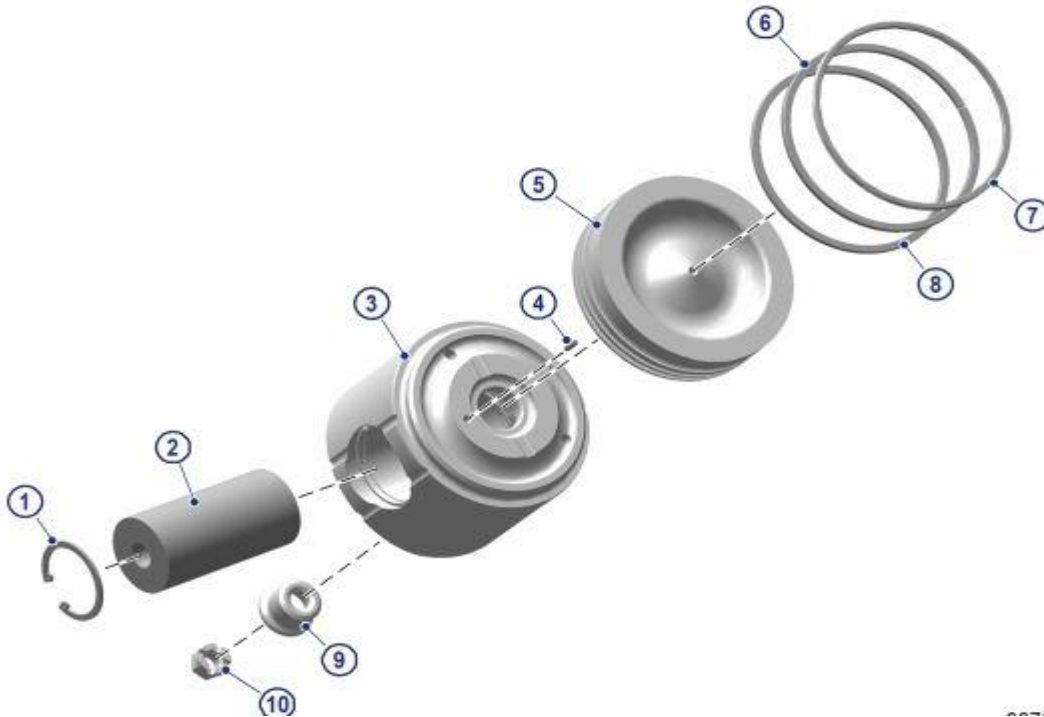


نام پروژه: زمینس

نام مجموعه‌ای که قطعه نصب می شود	پارت نامبر قطعه	نام قطعه
موتور	X59303700063	پیستون موتور MTU

عکس قطعه:

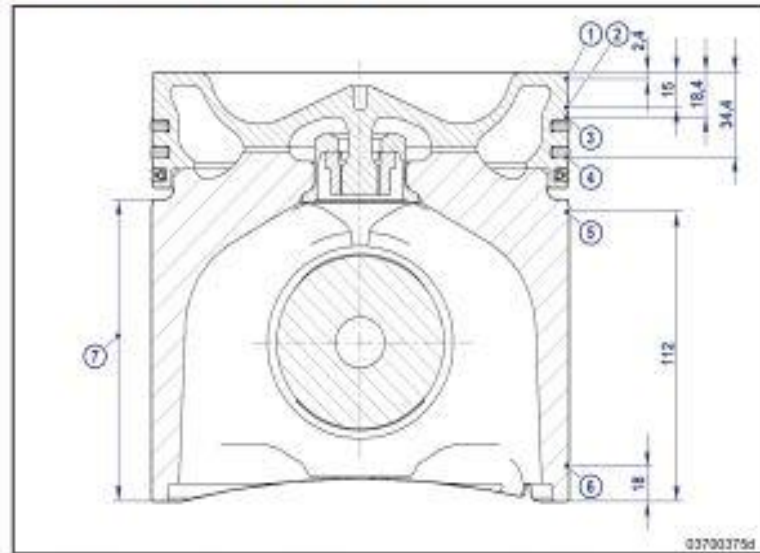


محل نصب:



اطلاعات تکمیلی:

Piston clearance in cylinder liner 12/16/20 V



Item	Designation	Level	Toleranced size Basic size	Deviation		Clearance		Interference		Wear limit
				Lower	Upper	Min.	Max.	Min.	Max.	
1	Cylinder liner dia.		170.000 _{h7}	0	+0.040	0.159	0.221			
	Piston skirt dia.		169.830	-0.011	+0.011					
2	Cylinder liner dia.		170.000 _{h7}	0	+0.040	0.280	0.340			
	Piston skirt dia.		169.710	-0.010	+0.010					
3	Cylinder liner dia.		170.000 _{h7}	0	+0.040	0.425	0.515			
	Piston crown dia.		169.550	-0.025	+0.025					
4	Cylinder liner dia.		170.000 _{h7}	0	+0.040	0.425	0.515			
	Piston crown dia.		169.550	-0.025	+0.025					
5	Scraper ring dia.		169.400 ^{**}	0	+0.063	0.575	0.688			
	Piston crown dia.		168.800	-0.025	+0.025					
Dimensions 1 to 5 measured vertically in relation to pin axis.										
6	Scraper ring dia.		169.400 ^{**}	0	+0.063	0.675	0.788			
	Piston crown dia.		168.700	-0.025	+0.025					
7	Piston skirt shape: spherical-oval Shaft graphite-coated, 2 points uncoated at 1 and 2 for measuring diameter									